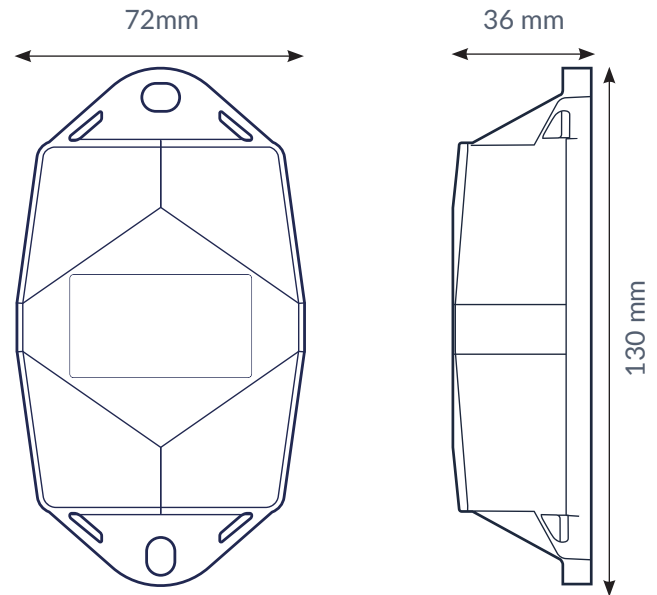


The rugged low-power tracker with longest battery life. Indoor and outdoor localization, zone and high precision with guaranteed data recovery (patented). Compatible with multiple external environmental sensors.

- GNSS
- Wi-Fi
- BLE
- Sigfox network triangulation

- Sigfox
- Multi-region
- Data recovery (patented)

- Up to 10 years of battery life
- IP69K & IP68
- IK8
- Flame retardant



Connectivity

Sigfox

- Energy efficient transceiver
- Internal omnidirectional antenna
- Bi-directional communication
- All regions: RC1/RC2/RC3/RC4/RC5/RC6/RC7
- Dynamic multi-region switching possible
- Data recovery (patented)

Bluetooth Low Energy (BLE)

- BLE 2.4 GHz
- Bluetooth Low Energy 5.0
- OTA firmware upgrade

Geolocalization

GNSS

- GPS only receiver
- Large patch antenna for optimum performance

Wi-Fi

Wi-Fi based geolocalization (optional)

BLE

- Sensolus proximity beacon detection
- Detectable by zone and high precision anchors

Sigfox Atlas

Network based geolocalization

Sensing

Internal

- Activity monitoring
- Orientation monitoring
- Virtual tamper detection

Environmental BLE sensors

- Temperature, humidity, air quality
- Person presence, contact, magnet
- Other BLE sensors can be added

Mounting

- Holes (7x9mm) for screws or rivets
- Cable ties
- Double sided tape
- Magnets (optional)

Mechanics & design

Antennas

All antennas are internal

Size

130x72x36 mm (L W H)

Weight

208 gram

Color

Darkgrey

Casing

- PBT/PC 29 TM-22 FRUV LS
- Flame retardant
- UV-stabilized

Water & dust resistance

IP69K & IP68

Impact resistance

IK8

Drop shock and vibration

EN 60068 (not tested)

Operating temperature

-20 to 60°C (optional to 80°C)

Storage temperature

-40 to 85°C

Battery

- Up to 10 years battery life depending on operating mode
- User replaceable battery pack (Li-SoCl₂) 8400 mAh 3.6V
- 2,8 gram Lithium

Certifications

Sigfox

- Sigfox multi-region verified
- All regions class 0 certified

Regulatory

CE, UKCA

Electrical safety

EN-60905-1

Bluetooth 5.0

Declaration ID: D059622

User interaction

Device activation

Magnetic activation

LED feedback

Green & red LED feedback on the device

Synchronize remote settings

- Instant: Magnet activation
- Periodic: No user interaction needed

Management services

Diagnostics

- Battery lifetime prediction
- Detailed energy consumption
- Geolocation diagnostics
- Installation
- Communication quality

Management

- OTA firmware updates over BLE
- Remote configuration
- Tracker usage profiles
- External environmental sensors

Application services

- Localization
- Activity
- Journeys
- Utilization
- Connectable with environmental sensors
- Tilt detection

Firmware configuration

Communication service

- Region switching strategy
- Data recovery strategy
- Communication conditions

General configuration

- Rule engine configuration
- Diagnostic levels
- Boot methods
- Accurate time synchronization

Orientation service

- Orientation detection parameters

Activity service

- Activity detection parameters

Location service

- Motion based, context based, periodic or scheduled
- Configurable update rate and journey detection
- Priority sequence (GNSS, Wi-Fi, BLE, network)
- GNSS fix parameters
- Indoor detection algo
- Wi-Fi scan strategy
- BLE scan strategy

Environmental sensing

- Polling and aggregation strategy
- Alerts
- Edge processing parameters

Tamper service

- Virtual tamper algo configuration

Security

- Sigfox communication AES encryption
- Device unique encryption keys
- End to end payload encryption Chacha 20
- AES encrypted firmware
- Firmware upgrade allows only signed firmware images