


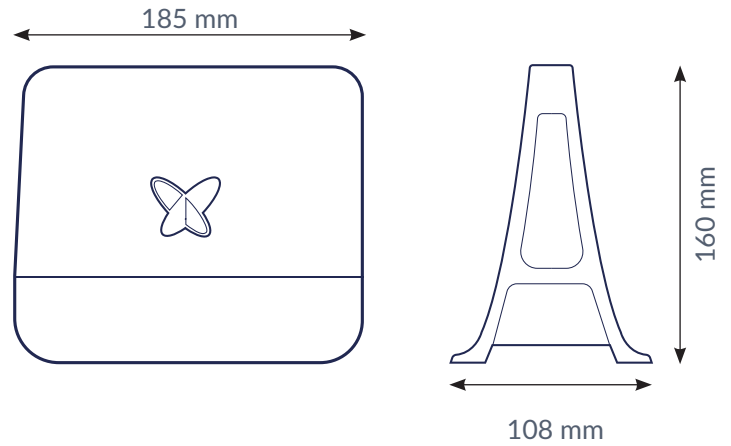


The micro base station for extending the Sigfox coverage to be used in areas with limited coverage.

-  Bluetooth Low Energy Beacon
-  Max. 100 meters range
-  IP65



Connectivity

Sigfox

Sigfox Ultra Narrow Band Protocol for M2M and IoT

Transmission power

Max Transmit Power (EIRP)* 23 dBm ± 1dB

Mechanics & design

Antenna

Integrated antenna

Water & dust resistance

IP65

Size

186 x 159 x 108 mm

Operating temperature

-20°C to +55°C

Weight

450 gram

Storage temperature

-30°C to +85°C

Color

White

Casing

ASA and PC

Power

Power supply Passive PoE with AC 220/110V adaptor in package